
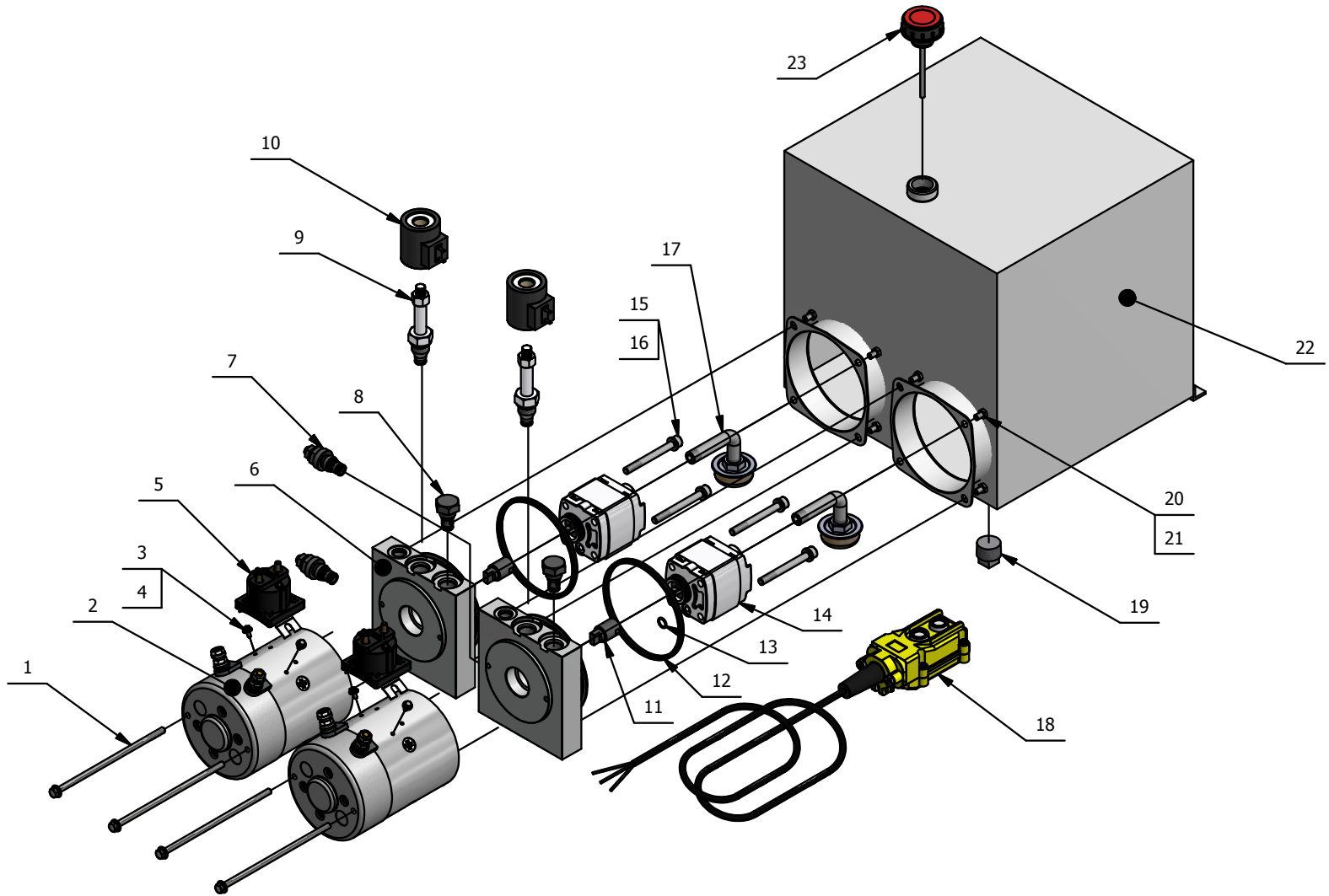
	<small>THIS PRINT CONTAINS CONFIDENTIAL INFORMATION AND IS SOLE PROPERTY OF EAGLE HYDRAULIC COMPONENTS AND IS NOT TO BE COPIED OR REPRODUCED WITHOUT THE EXPRESSED PERMISSION OF EAGLE HYDRAULIC COMPONENTS.</small>	<b>TOLERANCES UNLESS OTHERWISE SHOWN:</b>	
<b>EAGLE HYDRAULIC COMPONENTS</b>		X ±0.50 X.X ±0.25 X.XX ±0.05 ANGLES ±1°	
<b>DESIGN:</b>	<b>TITLE:</b>	<b>SCALE :</b> N.T.S.	
<b>DRAWING:</b> P.Rivard	<b>ASSEMBLY</b>	<b>SHEET NO. :</b> 1 / 2	
<b>CHECKED:</b>	<b>DRAWING NO.:</b>	<b>QTY:</b> 1	
<b>TECHNIC:</b>	<b>EAG PU1225Y0230</b>	<b>WEIGHT:</b> N/A	
<b>DATE:</b> 2013-12-06	<b>PRODUCT NO.:</b>	<b>MATERIAL:</b>	
<b>REV.:</b> 1	<b>EAG PU1225Y0230</b>		



11	HAV EP1402	Motor Coupler	2	23	HAV EP1024	Breather 3/4 NPT	1
10	HAV EP1101C	Coil 12v	2	22	HAV EP10212	Tank	1
9	HAV EP1101D	Valve w/ manual override	2	21	HAV EP1005	Lockwasher	8
8	HAV EP1602	Checkvalve	2	20	HAV EP1004	Tank Bolts	8
7	HAV EP1601	Relief Valve	2	19	HAV	Tank Plug	1
6	HAV EP1604-11	Block	2	18	HAV EP1427-21	Remote Control	1
5	HAV EP1301A	Solenoid	2	17	HAV EP1401B	Filter	2
4	HAV EP1041	Washer	4	16	HAV EP1218	LockWasher	4
3	HAV EP1040	Solenoid Bolts	4	15	HAV EP1217	Pump Bolts	4
2	HAV EP1312A	Motor	2	14	HAV EP1210	Pump	2
1	HAV EP1331	Motor Bolts	4	13	AS-568-012	O-Ring	2
				12	HAV EP1033	Block O-Ring	2
ITEM	PART NUMBER	DESCRIPTION	QTY	ITEM	PART NUMBER	DESCRIPTION	QTY



THIS PRINT CONTAINS CONFIDENTIAL INFORMATION AND IS SOLE PROPERTY OF EAGLE HYDRAULIC COMPONENTS AND IS NOT TO BE COPIED OR REPRODUCED WITHOUT THE EXPRESSED PERMISSION OF EAGLE HYDRAULIC COMPONENTS.

TOLERANCES UNLESS OTHERWISE SHOWN:  
 X ±0.50  
 X.X ±0.25  
 X.XX ±0.05  
 ANGLES ±1°

EAGLE HYDRAULIC COMPONENTS

DESIGN:

TITLE:  
EXPLODED VIEW

DRAWING: P.Rivard

SCALE : N.T.S.

CHECKED:

DRAWING NO.:

SHEET NO. : 2 / 2

TECHNIC:

EAG PU1225Y0230

QTY: 1

DATE: 2013-12-06

PRODUCT NO.:

WEIGHT: N/A

REV.: 1

EAG PU1225Y0230

MATERIAL:

