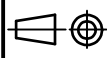
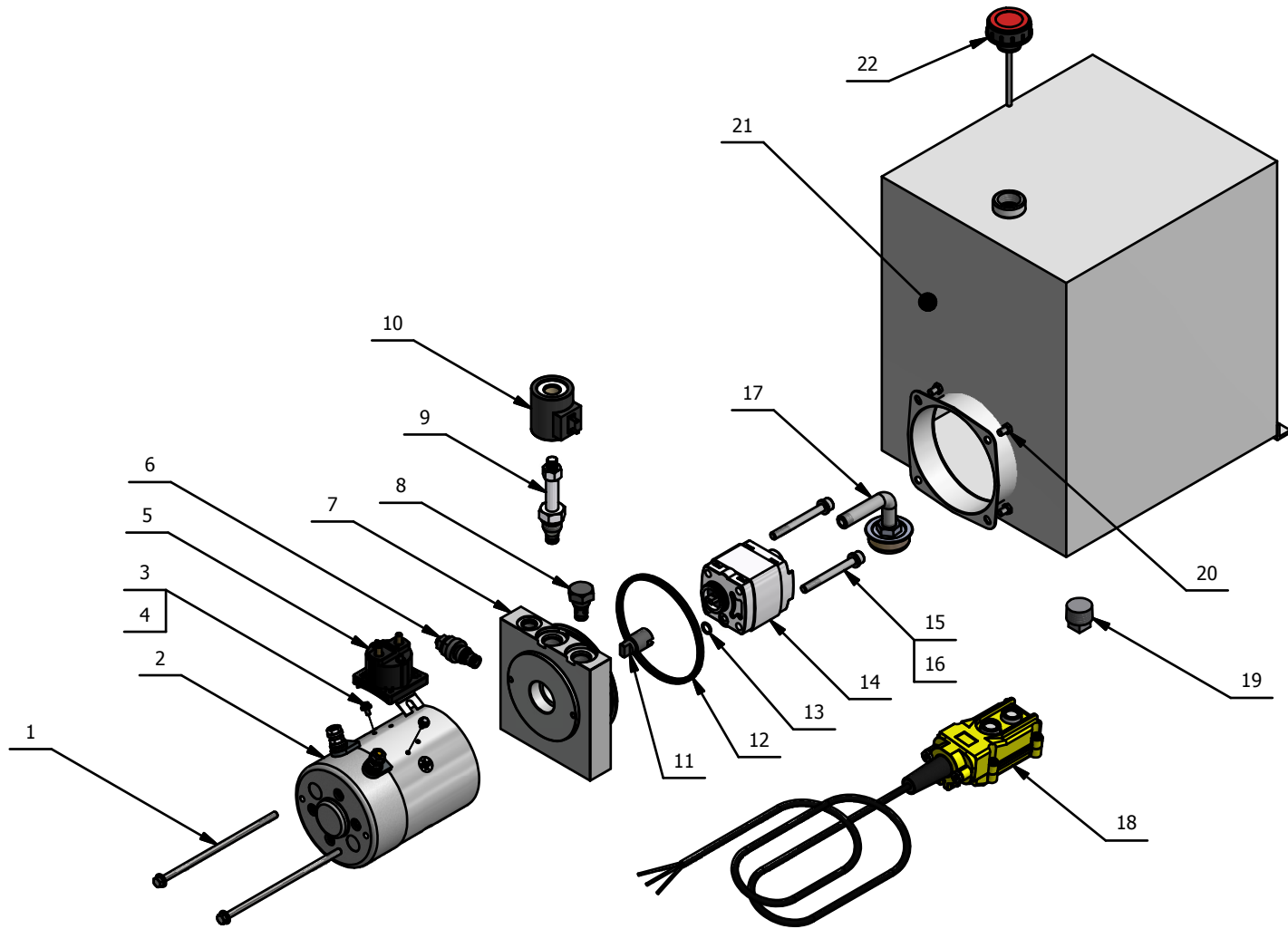
	<small>THIS PRINT CONTAINS CONFIDENTIAL INFORMATION AND IS SOLE PROPERTY OF EAGLE HYDRAULIC COMPONENTS AND IS NOT TO BE COPIED OR REPRODUCED WITHOUT THE EXPRESSED PERMISSION OF EAGLE HYDRAULIC COMPONENTS.</small>	TOLERANCES UNLESS OTHERWISE SHOWN: X ±0.50 X.X ±0.25 X.XX ±0.05 ANGLES ±1°	
	EAGLE HYDRAULIC COMPONENTS	TITLE: ASSEMBLY	SCALE : N.T.S.
DESIGN:		DRAWING NO.:	QTY: 1
DRAWING: P.Rivard		EAG PU1225X0225	WEIGHT: N/A
CHECKED:		PRODUCT NO.:	MATERIAL:
TECHNIC:		EAG PU1225X0225	
DATE: 2013-12-06		REV.: 1	



11	HAV EP1402	Motor Coupler	1	22	HAV EP1024	Breather 3/4 NPT	1
10	HAV EP1101C	Coil 12v	1	21	HAV EP1021	Tank 6.24 Gal	1
9	HAV EP1101D	Valve w/ manual override	1	20	HAV EP1004	Tank Bolts	4
8	HAV EP1602	Checkvalve	1	19	HAV	Tank Plug	1
7	HAV EP1604-11	Block	1	18	HAV EP1427-21	Remote Control	1
6	HAV EP1601	Relief Valve	1	17	HAV EP1401B	Filter	1
5	HAV EP1301A	Solenoid	1	16	HAV EP1005	Lockwasher	2
4	HAV EP0141	Washer	2	15	HAV EP1217	Pump Bolts	2
3	HAV EP1040	Solenoid Bolts	2	14	HAV EP1210	Pump	1
2	HAV EP1312A	Motor	1	13	AS-568-012	O-Ring	1
1	HAV EP1331	Motor Bolts	2	12	HAV EP1033	Block O-Ring	1
ITEM	PART NUMBER	DESCRIPTION	QTY	ITEM	PART NUMBER	DESCRIPTION	QTY



THIS PRINT CONTAINS CONFIDENTIAL INFORMATION AND IS SOLE PROPERTY OF EAGLE HYDRAULIC COMPONENTS AND IS NOT TO BE COPIED OR REPRODUCED WITHOUT THE EXPRESSED PERMISSION OF EAGLE HYDRAULIC COMPONENTS.

TOLERANCES UNLESS OTHERWISE SHOWN:
 X ±0.50
 X.X ±0.25
 X.XX ±0.05
 ANGLES ±1°

EAGLE HYDRAULIC COMPONENTS

DESIGN:

TITLE:
EXPLODED VIEW

DRAWING: P.Rivard

CHECKED:

DRAWING NO.:
EAG PU1225X0225

TECHNIC:

PRODUCT NO.:

DATE: 2013-12-06

EAG PU1225X0225

REV.: 1

SCALE : N.T.S.

SHEET NO. : 2 / 2

QTY: 1

WEIGHT: N/A

MATERIAL:

